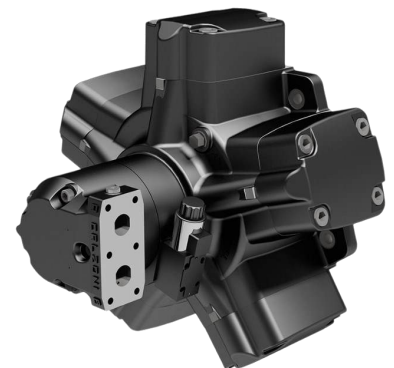
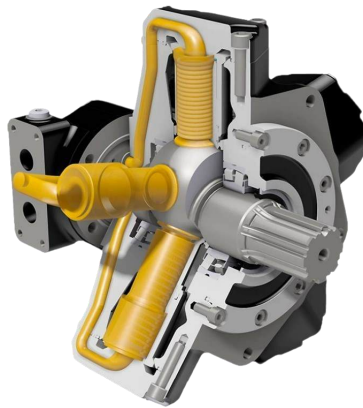


*New Units, Repairs & Spare Parts*

# HYDRAULIC MOTORS



## Low-Speed, High-Torque Radial Piston Motors



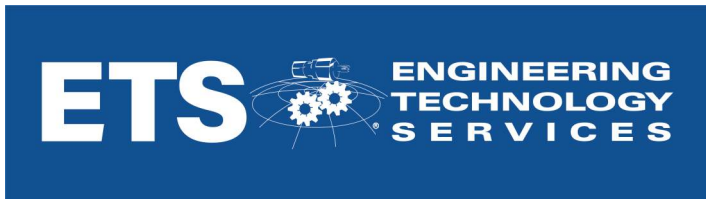
MR Series - MRD/MRV Series - MRT Series

### Performance Characteristics:

**From 4.5 IN<sup>3</sup>/Rev (75 cc/rev) to 1,570 IN<sup>3</sup>/Rev (26,000 cc/rev)**

**Up to 6,800 PSI (420 Bar) Peak Operation (varies by frame size)**

For added convenience, visit our online store: [shop.etchydro.com](http://shop.etchydro.com)



- World's Largest Supplier of **GENUINE** Hydraulic Units & Parts
- Locations in the USA & Europe
- 24/7 Online Store for Expedited Support
- \$35M of Hydraulic Pump, Motor & Valve Inventory

P 901.369.5404 | [info@etchydro.com](mailto:info@etchydro.com) | 3861 Delp Street, Memphis TN 38118



[www.etchydro.com](http://www.etchydro.com)

