

REPAIR | UPGRADE | RETROFIT | MANIFOLDS | PARTS

HYDRAULIC PROPORTIONAL & SERVO VALVES

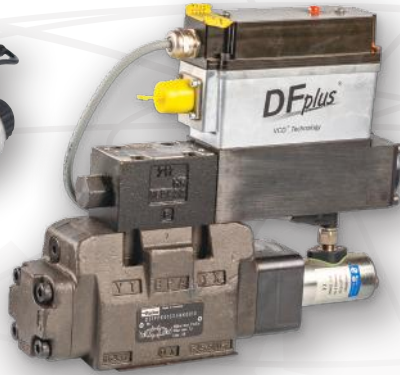
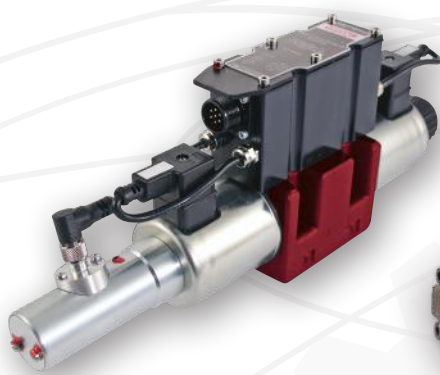
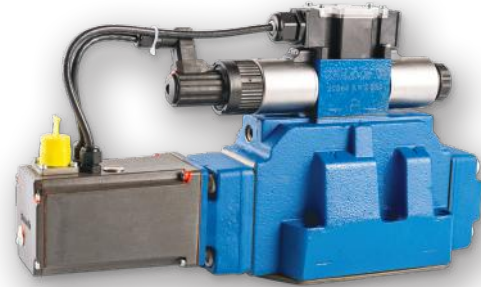
GENUINE

rexroth
A Bosch Company

Parker

HYDAC

atos
the smart electrohydraulics

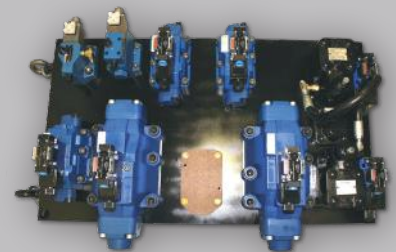


ETS offers sales and service of best in class hydraulic brands. We have the knowledge and expertise needed to assist your company's needs with the repair and replacement of old and new series servo, proportional, as well as any of the standard directional, flow and pressure control valves.

MANIFOLD REPAIRS AVAILABLE ON THESE TOP-RATED BRANDS:



- Husky
- Milacron
- Engel
- Demag/
Sumitomo-Demag
- Van Dorn
- Battenfeld/
Wittman Battenfeld
- Krauss Maffei
- Nestal
- Sumitomo-Demag
- Sipa



ETS  **ENGINEERING
TECHNOLOGY
SERVICES**

- World's Largest Supplier of **GENUINE** Hydraulic Units & Parts
- Locations in the USA & Europe
- 24/7 Online Store for Expedited Support
- \$35M of Hydraulic Pump, Motor & Valve Inventory

P 901.369.5404 | info@etshydro.com | 3861 Delp Street, Memphis, TN 38118



 For added convenience, visit our online store: shop.etshydro.com



REPAIR & TEST SERVICES

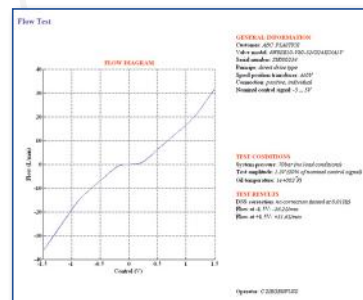
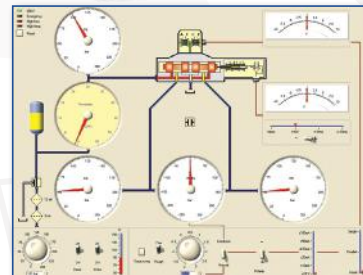
HYDRAULIC PROPORTIONAL & SERVO VALVES



With over 25 years of experience repairing best in class brand Valves, customers will have complete confidence that ETS will meet their valve servicing requirements including remanufacturing and test services.

LATEST VALVE TEST STAND TECHNOLOGY

- Repair center was built using clean room technology.
- Two state-of-the-art valve test stands constructed from extruded aluminum and stainless steel to reduce any form of contamination.
- Capable of testing standard flow, pressure and directional control valves, as well as proportional and servo valves.
- Automatic or manual testing can be conducted using Lab View, and our universal control board makes it simple to select either automatic or manual test, as well as pressure, voltage, control signal, etc.
- Capable of producing hysteresis curves for differential pressure, flow, leakage, spool position and plotting frequency response curves.



P 901.369.5404 | 3861 Delp Street, Memphis, TN 38118



HYDRAULIC/VALVES/CS: FHYR-2.23.24



www.etshydro.com

